



RSE - REACTOR SAMPLING EQUIPMENT

The sampling device RSE, manual or automated version, is used for the sampling of corrosive and / or toxic liquids from reactors or tanks in a safe way without interrupting the production process.

This device extracts the sample required by vacuum or under pressure conditions.

In addition to the basic unit, several accessories and options can be selected for an easy assembly of the system according to the specifications.

KEY FEATURES

- * One-piece base unit in 304L stainless steel
- * Lining in virgin PFA or C-PFA (ATEX)
- * Sight glass in borosilicate DIN 7080
- * Sight glass ball seat with FFKM o-ring (manual type)
- * Available with diaphragm or ball valves
- * Virgin PTFE or C-PTFE (ATEX) pumps
- * Available with EN1092 or ANSI 150 flanges
- * GL 45 or custom bottle adapter
- * Made in Italy

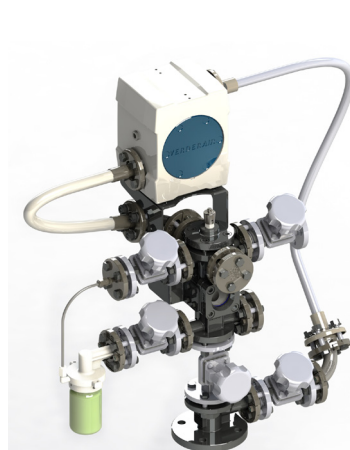
WORKING CONDITIONS

- * Working pressure base unit: 16 bar
- * Working temperature manual type: -40°C + 180°C
- * Working temperature pneumatic type: -40°C + 120°C
- * Sampling volume: 150 ml
- * Test pressure according to EN 12266-1, leakage rate A
- * Material certificate according to EN 10201-2.2/3.1

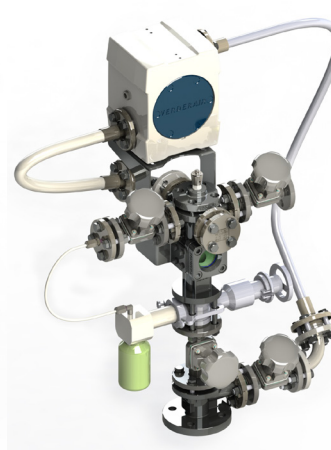
AVAILABLE DEVICES



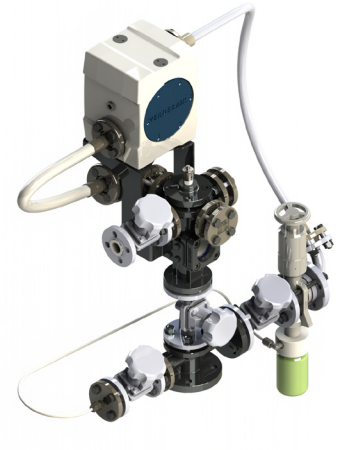
RSE MBL-BP



RSE RPH-BP



RSE RPH-IB_A



RSE RPH-IB_M



RSE MBL-BP – Manual type

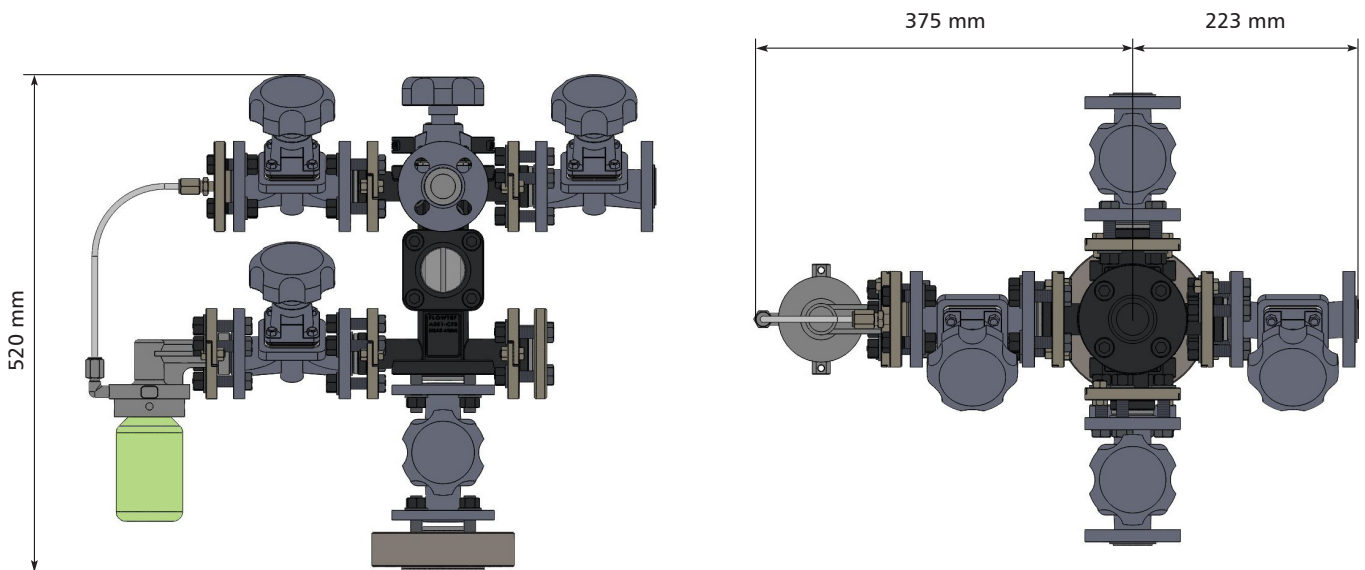
The sampling device is used for the sampling of corrosive and / or toxic liquids from reactors or tanks in a safe way without interrupting the production process.

MODULAR DESIGN

This device extracts the sample required by line vacuum or pressurized reactor.

KEY FEATURES

- * One-piece base unit in 304L stainless steel
- * Lining in virgin PFA or C-PFA (ATEX)
- * Sight glass in borosilicate DIN 7080
- * Sight glass ball seat with FFKM o-ring
- * Available with diaphragm or ball valves
- * Available with EN1092 or ANSI 150 flanges
- * GL 45 or custom bottle adapter
- * Made in Italy

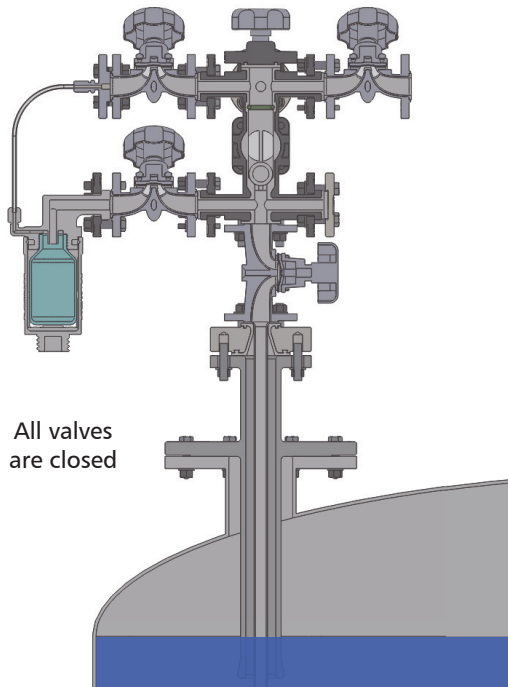


WORKING CONDITION

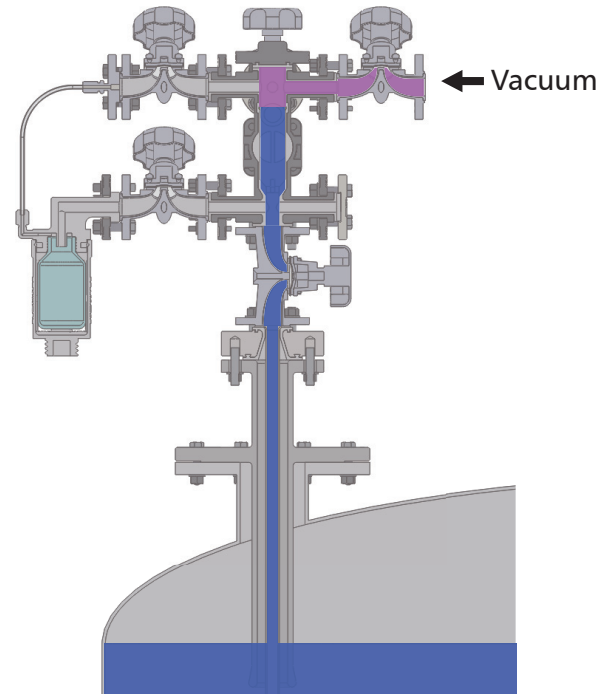
- * Working pressure base unit: 16 bar
- * Working temperature: -40°C + 180°C
- * Sampling volume: 150 ml
- * Test pressure according to EN 12266-1, leakage rate A
- * Material certificate according to EN 10201-2.2/3.1



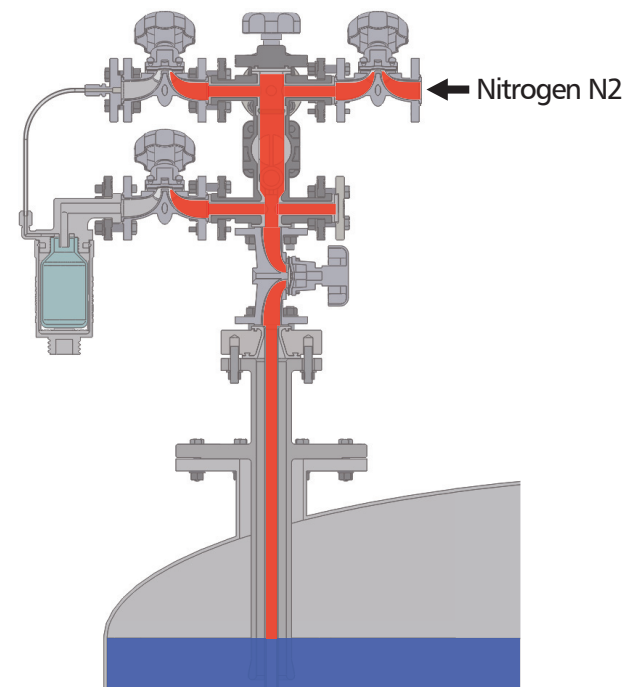
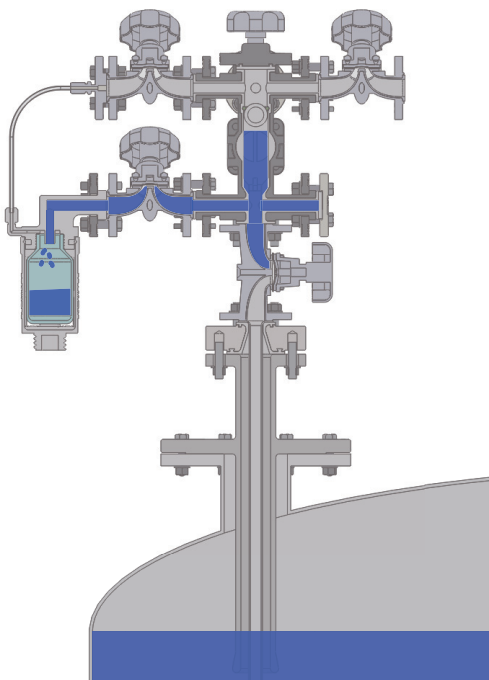
Operation of RSE MBL-BP – manual type, with vacuum or pressurized reactors



1. STARTING POSITION



2. FILLING



4. WASHING



RSE RPH-BP – Version with circulation of the fluid

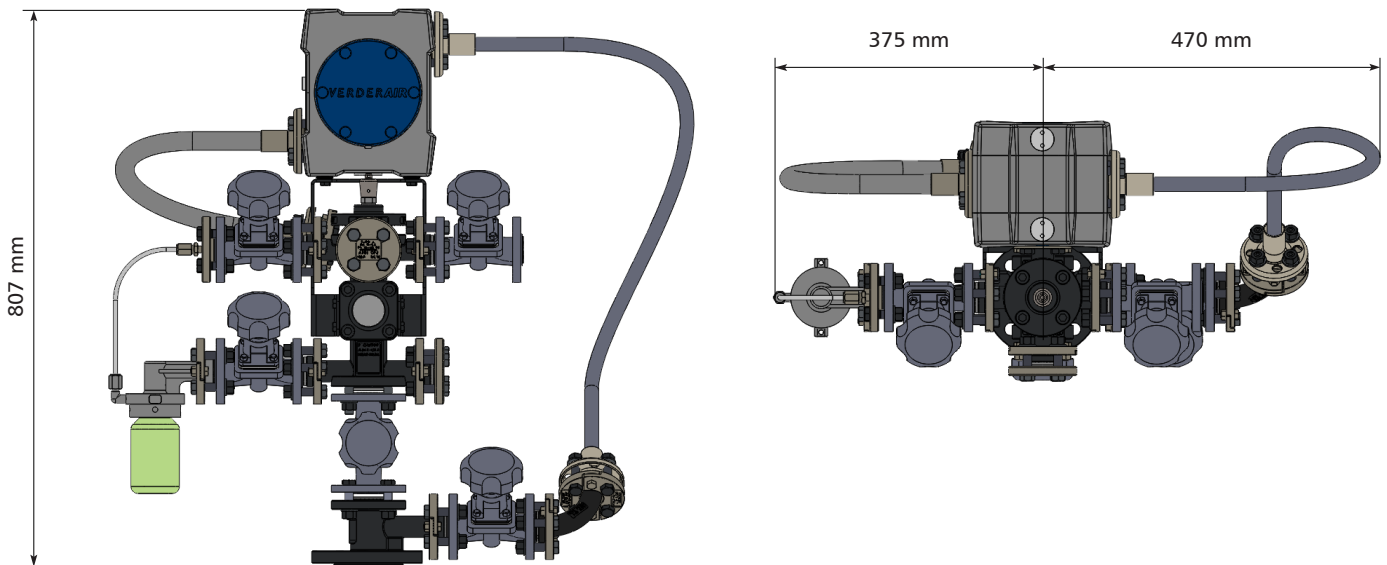
The sampling device is used for the sampling of corrosive and / or toxic liquids from reactors or tanks in a safe way without interrupting the production process.

MODULAR DESIGN

This device extracts the sample required by vacuum through the diaphragm pump

KEY FEATURES

- * One-piece base unit in 304L stainless steel
- * Lining in virgin PFA or C-PFA (ATEX)
- * Sight glass in borosilicate DIN 7080
- * PH connection
- * Available with diaphragm or ball valves
- * Virgin PTFE or C-PTFE (ATEX) pumps
- * Available with EN1092 or ANSI 150 flanges
- * GL 45 or custom bottle adapter
- * Made in Italy

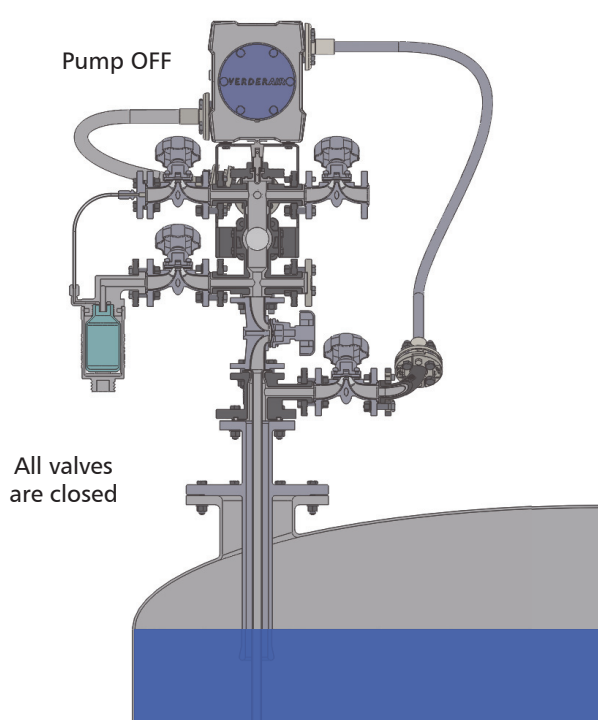


WORKING CONDITION

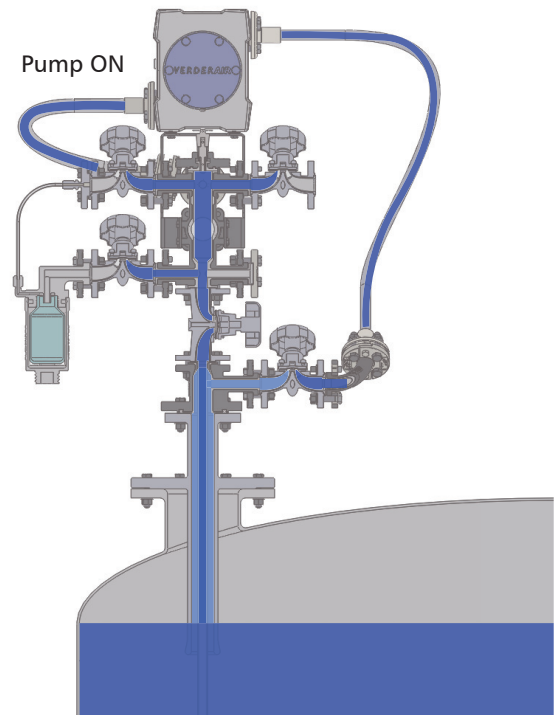
- * Working pressure base unit: 16 bar
- * Working pressure pump: 7 bar
- * Working temperature manual type: -40°C + 120°C
- * Sampling volume: 150 ml
- * Test pressure according to EN 12266-1, leakage rate A
- * Material certificate according to EN 10201-2.2/3.1



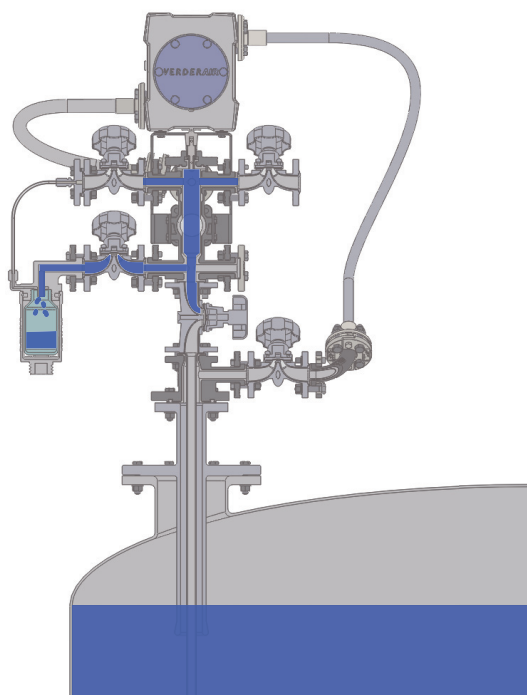
Operation of RSE RPH-BP - recirculating type with diaphragm pump and By-pass sampling



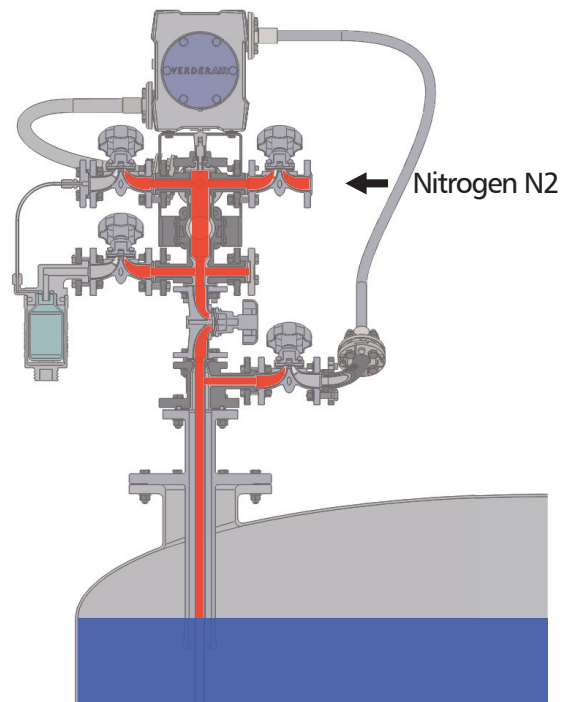
1. STARTING POSITION



2. FILLING



3. SAMPLING



4. WASHING



RSE RPH-IB_A – Continuous recirculation of the fluid

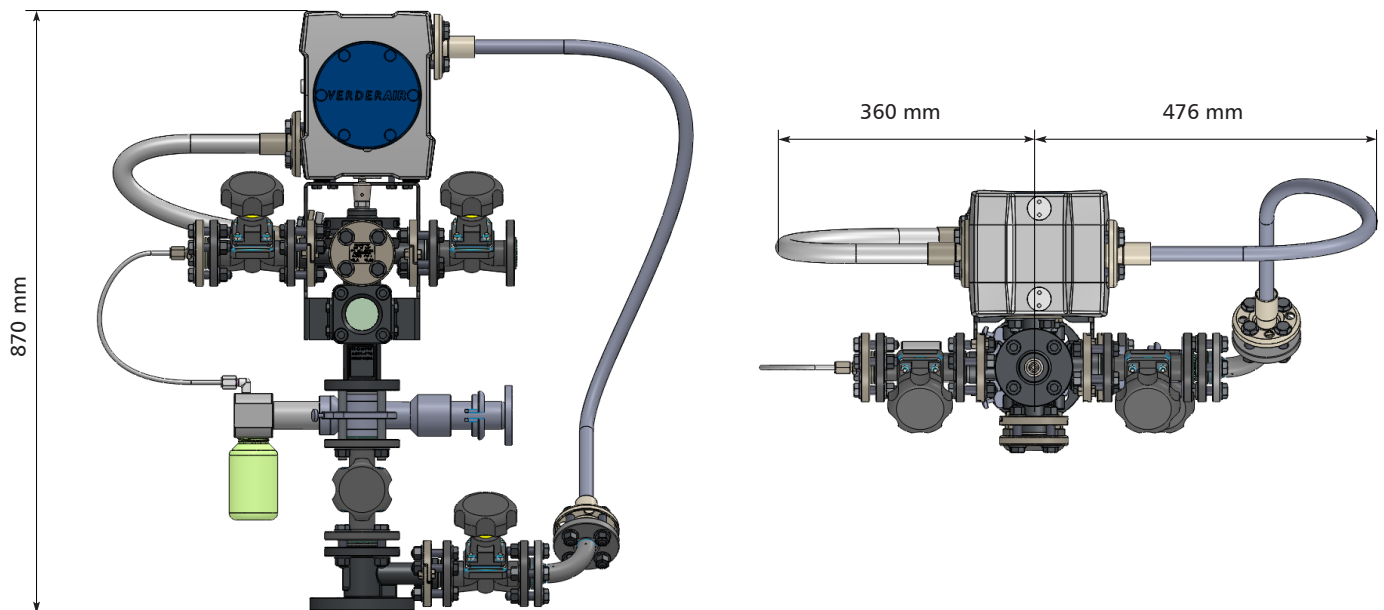
The sampling device RSE device is used for the sampling of corrosive and / or toxic liquids from reactors or tanks in a safe way without interrupting the production process.

MODULAR DESIGN

This device extracts the sample required by vacuum through the diaphragm pump. Thanks to In-line sample valve, positioned in the suction direction, the system must never be turned off during the sampling

KEY FEATURES

- * One-piece base unit in 304L stainless steel
- * Lining in virgin PFA or C-PFA (ATEX)
- * Sight glass in borosilicate DIN 7080
- * PH connection
- * Available with diaphragm or ball valves
- * Virgin PTFE or C-PTFE (ATEX) pumps
- * Available with EN1092 or ANSI 150 flanges
- * GL 45 or custom bottle adapter
- * Made in Italy

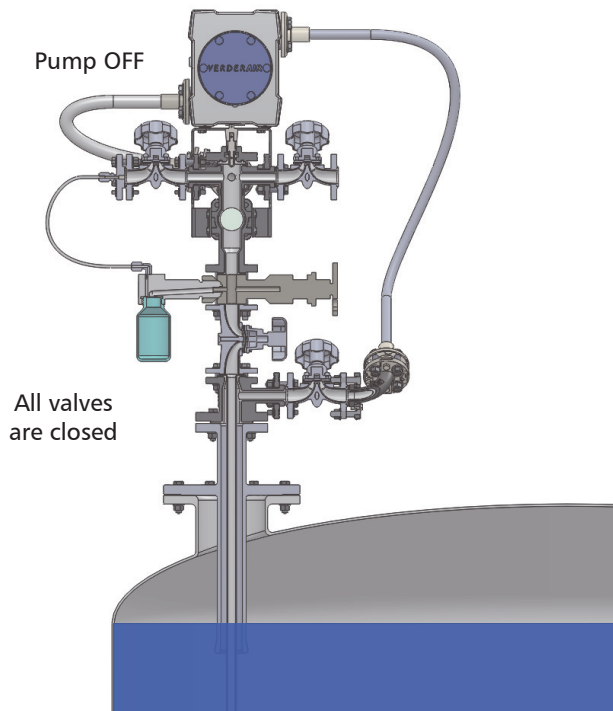


WORKING CONDITION

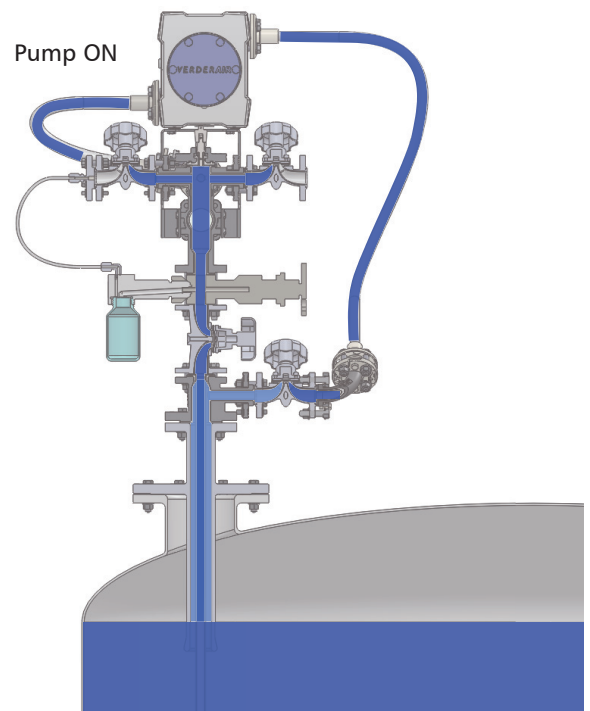
- * Working pressure base unit: 16 bar
- * Working pressure pump: 7 bar
- * Working temperature manual type: -40°C + 120°C
- * Sampling volume: 150 ml
- * Test pressure according to EN 12266-1, leakage rate A
- * Material certificate according to EN 10201-2.2/3.1



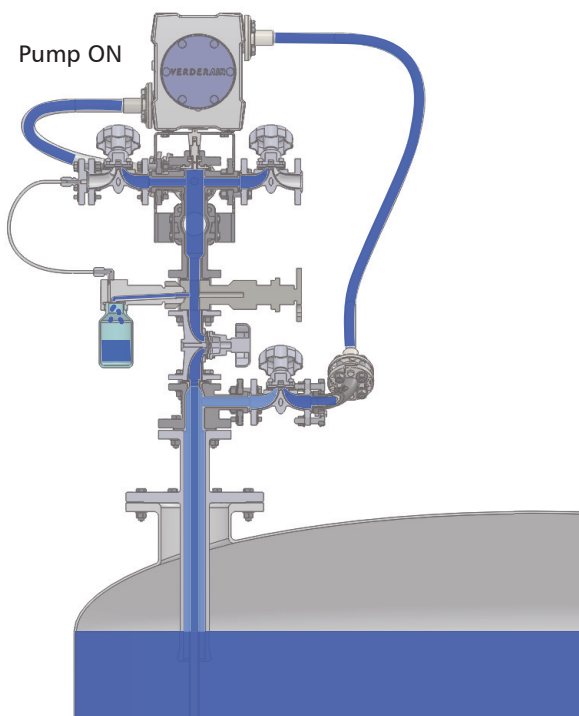
Operation of RSE RPH-IB_A - recirculating type with diaphragm pump and In-Line sampling (Suction)



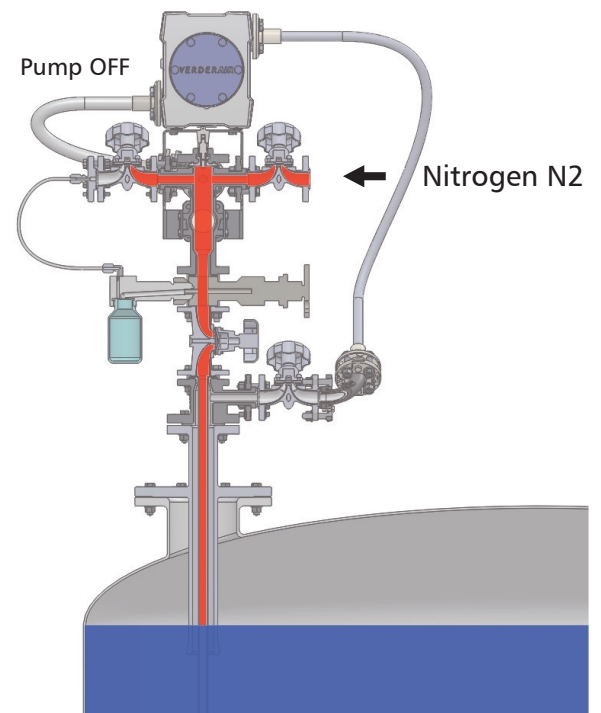
1. STARTING POSITION



2. FILLING



3. SAMPLING



4. WASHING



RSE RPH-IB_M – Continuous recirculation of the fluid

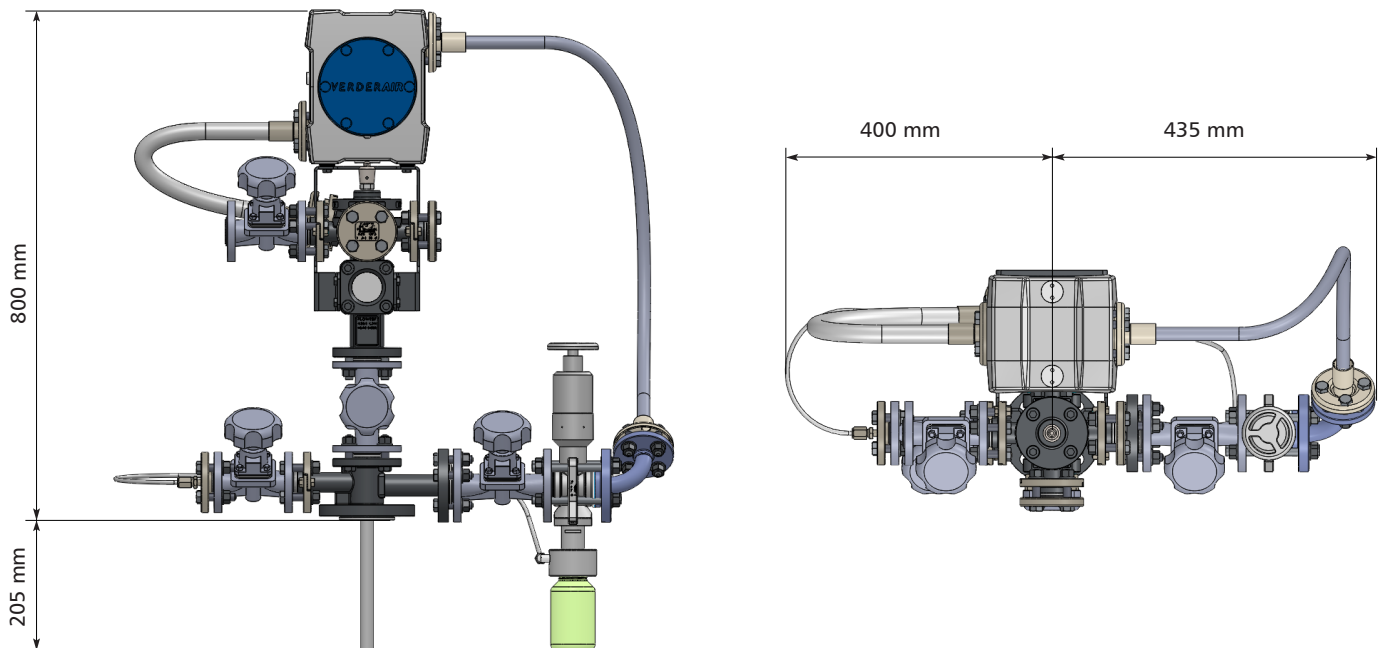
The sampling device RSE is used for the sampling of corrosive and / or toxic liquids from reactors or tanks in a safe way without interrupting the production process.

MODULAR DESIGN

This device extracts the sample required by vacuum through the diaphragm pump. Thanks to In-line sample valves, positioned in the flow direction, the system must never be turned off during the sampling

KEY FEATURES

- * One-piece base unit in 304L stainless steel
- * Lining in virgin PFA or C-PFA (ATEX)
- * Sight glass in borosilicate DIN 7080
- * PH connection
- * Available with diaphragm or ball valves
- * Virgin PTFE or C-PTFE (ATEX) pumps
- * Available with EN1092 or ANSI 150 flanges
- * GL 45 or custom bottle adapter
- * Made in Italy

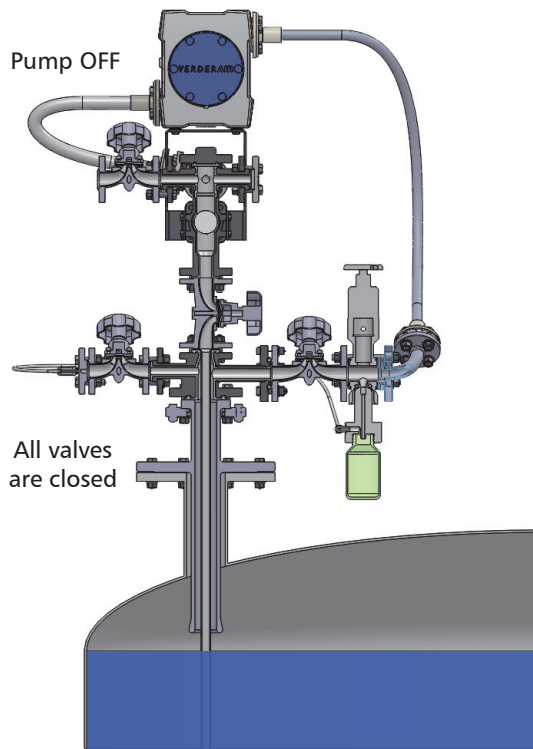


WORKING CONDITION

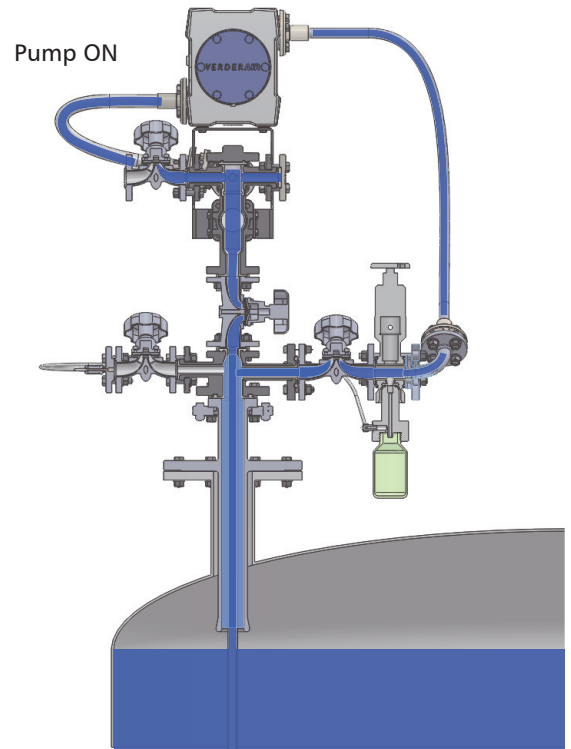
- * Working pressure base unit: 16 bar
- * Working pressure pump: 7 bar
- * Working temperature manual type: -40°C + 120°C
- * Sampling volume: 150 ml
- * Test pressure according to EN 12266-1, leakage rate A
- * Material certificate according to EN 10201-2.2/3.1



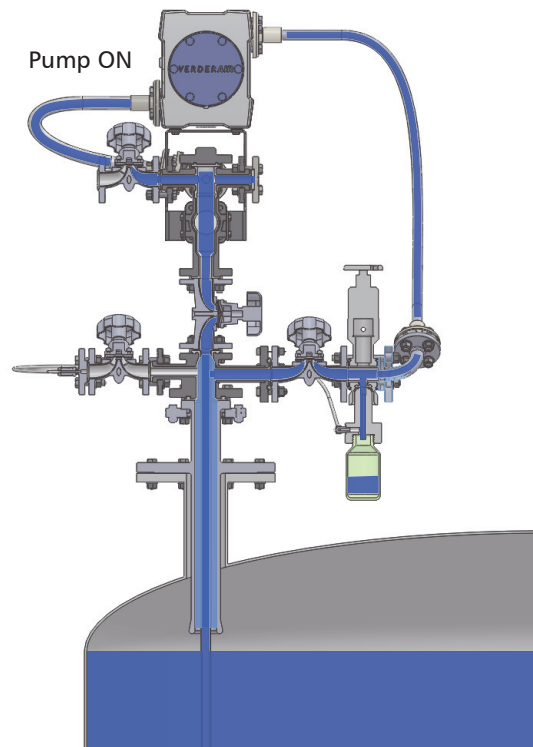
Operation of RSE RPH-IB_M - recirculating type with diaphragm pump and In-line sampling (Flow)



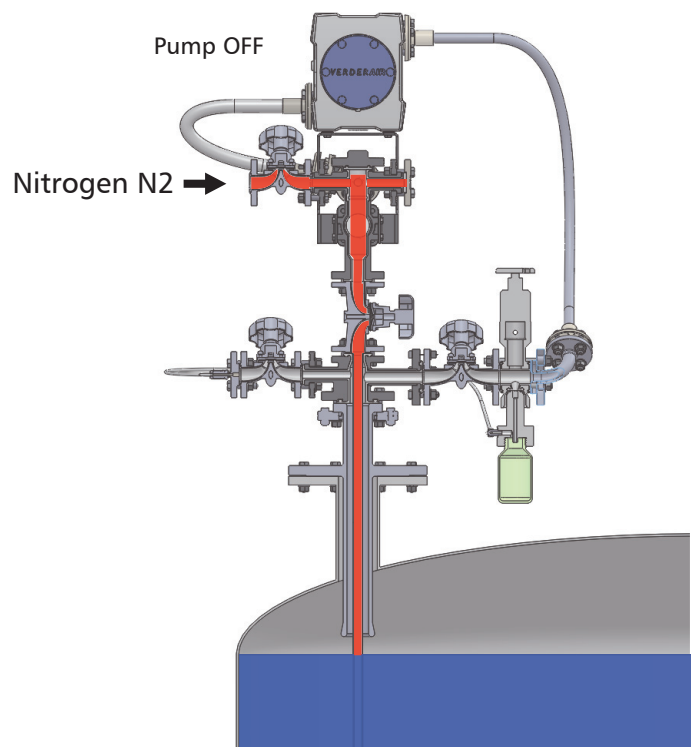
1. STARTING POSITION



2. FILLING



3. SAMPLING



4. WASHING

